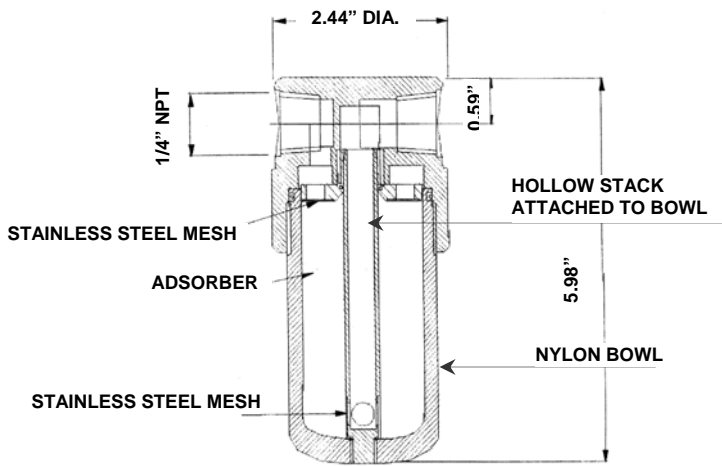


# REFILLABLE NYLON ADSORPTION HOUSINGS



- Replaceable Adsorbent
- 5 Micron Filter Pads Included
- Full Contact With Adsorbent
- All Nylon Construction
- T-Type - No Connections Need To Be Broken
- Clear Bowl Allows Instant Monitoring

Our Nylon T-Type Adsorption Housings are a simple, cost effective solution for the adsorption of various chemical vapors in a gaseous stream. The one of kind hollow tube, with integral filter diverts the gas flow to the base of the bowl allowing complete permeation of gas through the adsorbent. Simply remove the filter bowl without breaking connections to replace the spent adsorbent. Simple, Clean, and Efficient.

Model Number	NNAD2.2.64. □	NNAD3.2.64. □	NNAD2.2.178. □	NNAD3.2.178. □
Port Size (NPT)	1/4"	1/2"	1/4"	1/2"
Maximum Temperature (°F)	120	120	120	120
Maximum Pressure (psig)	150	150	150	150
Principle Dimensions: (inches)				
Center Of Port To Head	0.59	0.59	0.59	0.59
Head Diameter	2.44	2.44	2.44	2.44
Overall Length	5.98	5.98	9.76	9.76
Filter Adsorbent Codes: (1)				
Adsorbent (Specify from list below)	Specify Adsorbent	Specify Adsorbent	Specify Adsorbent	Specify Adsorbent

Notes: (1) Replace "XX" with adsorption grade required, CC, 4A, 13X, SG, DR, MB, PP, HO

Adsorbent	Code	Principle Uses
Activated Carbon	CC	Adsorption of hydrocarbons and other organic vapors
Molecular Sieve 4A	4A	Adsorption of CO <sub>2</sub> , NH <sub>3</sub> , H <sub>2</sub> S, SO <sub>x</sub>
Molecular Sieve 13X	13X	Adsorption of CO <sub>2</sub> , NH <sub>3</sub> , H <sub>2</sub> S, SO <sub>x</sub> , aromatics, amines
Silica Gel	SG	Adsorption of water vapor
Drierite	DR	Adsorption of water vapor
Anhydrous Calcium Sulfate		
Mixed Bases	MB	Removal of acidic gases, CO <sub>2</sub> , SO <sub>x</sub> , NO <sub>x</sub> , HCl
Potassium Permanganate	PP	Removal of SO <sub>x</sub> , Hg, and other acidic gases
Hopcalite	HO	Removal of CO by catalytic oxidation to CO <sub>2</sub>
Sodium Bicarbonate	SB	Acid Neutralizer



United Filtration Systems, Inc ▪ 6558 Diplomat Drive ▪ Sterling Heights, MI 48314  
 T (586) 802-5561 ▪ F (586) 802-5562  
 sales@unitedfiltration.com ▪ www.unitedfiltration.com