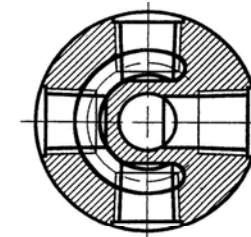


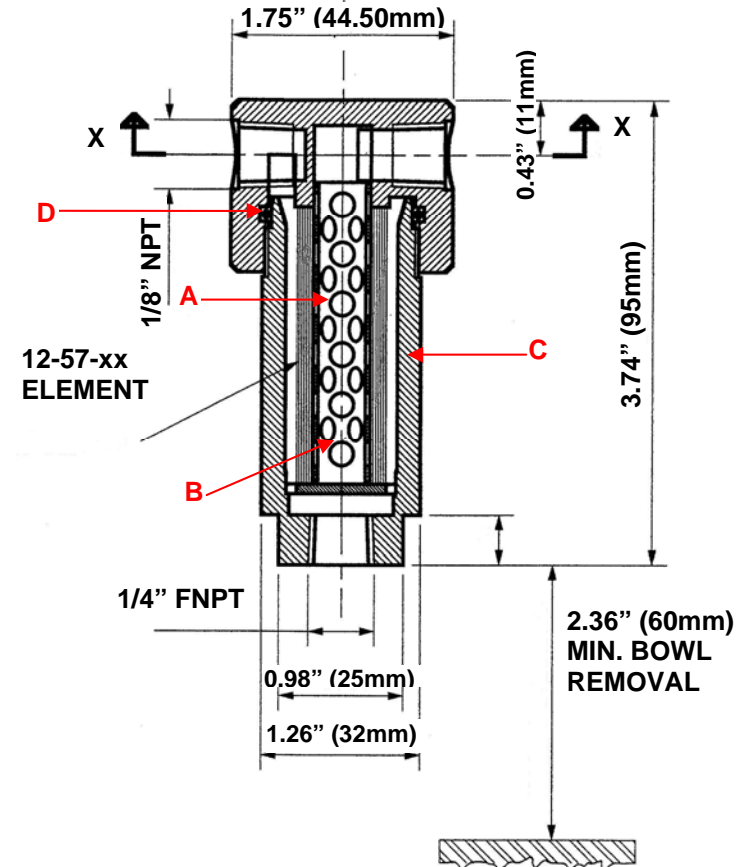
Model: 120B4 (4 Ports) (1/8" NPT)

Replacement Parts List


12-57-xx	Disposable Filter Element
SS-12-57-xx	Stainless Steel Filter Element
PT-12-57-xx	PTFE Filter Element
PEL-12-57-xx	PEL Filter Element
TR120B	Tie Rod (A)
ER110B	Element Retainer (B)
SSB 120B	316L Stainless Steel Bowl (C)
MBSS110	Mounting Bracket (Not Pictured)
Oxygen Cleaning Service Available Note – Please replace "xx" with micron rating or grade	
Available O-Rings	
BN110B	Buna-N
GV110B	Viton (Standard) (D)
KZ110B	Kalrez
GS110B	Silicone



**SECTION X:
SHOWING 4 PORT
CONFIGURATION**



Please Note: Exotic Materials are available, for Hastelloy-C (120B4HC) and for Monel (120B4M).

 United Filtration Systems, Inc. 6558 Diplomat Drive Sterling Heights, MI 48314 1-800-311-5561 www.unitedfiltration.com	Model 120B4 (4 PORTS)		THE COPYRIGHT OF THIS DRAWING IS RESERVED BY UNITED FILTRATION. IT IS ISSUED ON CONDITION THAT IT IS NOT COPIED, REPRODUCED OR DISCLOSED TO A THIRD PART EITHER WHOLLY, OR IN PART WITHOUT CONSENT IN WRITING.
	Material: Head: 316L Stainless Steel Bowl: 316L Stainless Steel Internals: 316L Stainless Steel Standard Gasket / O-ring: Viton	Drain Type: 1/8" FNPT Maximum Temperature: 400 Maximum Pressure: 5000 Internal Volume: 30	
DO NOT SCALE DRAWING IF IN DOUBT ASK			