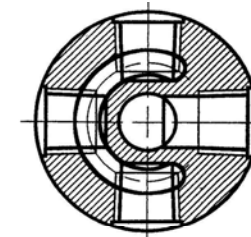


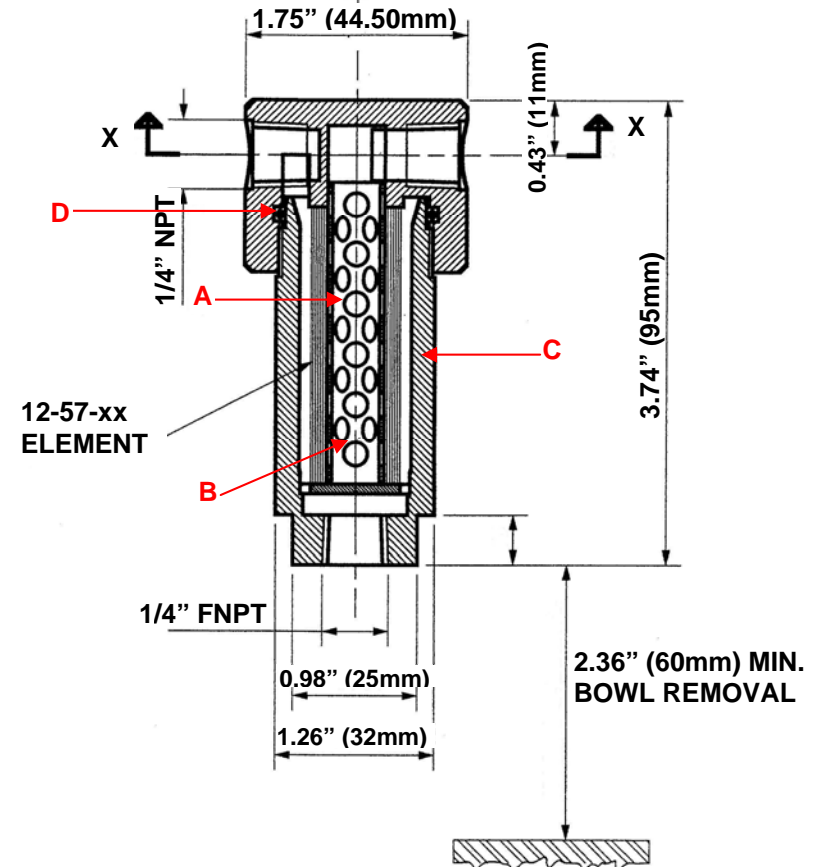
**Model: 122B4 (4 Ports) (1/4" NPT)**

**Replacement Parts List**


12-57-xx	Disposable Filter Element
SS-12-57-xx	Stainless Steel Filter Element
PT-12-57-xx	PTFE Filter Element
PEL-12-57-xx	PEL Filter Element
TR120B	Tie Rod (A)
ER110B	Element Retainer (B)
SSB 120B	316L Stainless Steel Bowl (C)
MBSS110	Mounting Bracket (Not Pictured)
Oxygen Cleaning Service Available Note – Please replace "xx" with micron rating or grade	
<b>Available O-Rings</b>	
BN110B	Buna-N
GV110B	Viton (Standard) (D)
KZ110B	Kalrez
GS110B	Silicone



**SECTION X:  
SHOWING 4 PORT  
CONFIGURATION**



Please Note: Exotic Materials are available, for Hastelloy-C (122B4HC) and for Monel (122B4M).

 <b>United Filtration Systems, Inc.</b> 6558 Diplomat Drive Sterling Heights, MI 48314 1-800-311-5561 <a href="http://www.unitedfiltration.com">www.unitedfiltration.com</a>	<b>Model 122B4 (4 PORTS)</b>		THE COPYRIGHT OF THIS DRAWING IS RESERVED BY UNITED FILTRATION. IT IS ISSUED ON CONDITION THAT IT IS NOT COPIED, REPRODUCED OR DISCLOSED TO A THIRD PART EITHER WHOLLY, OR IN PART WITHOUT CONSENT IN WRITING.
	<b>Material:</b> Head: 316L Stainless Steel Bowl: 316L Stainless Steel Internals: 316L Stainless Steel Standard Gasket / O-ring: Viton	<b>Drain Type:</b> 1/4" FNPT <b>Maximum Temperature:</b> 400 <b>Maximum Pressure:</b> 5000 <b>Internal Volume:</b> 30	
<b>DO NOT SCALE DRAWING IF IN DOUBT ASK</b>			