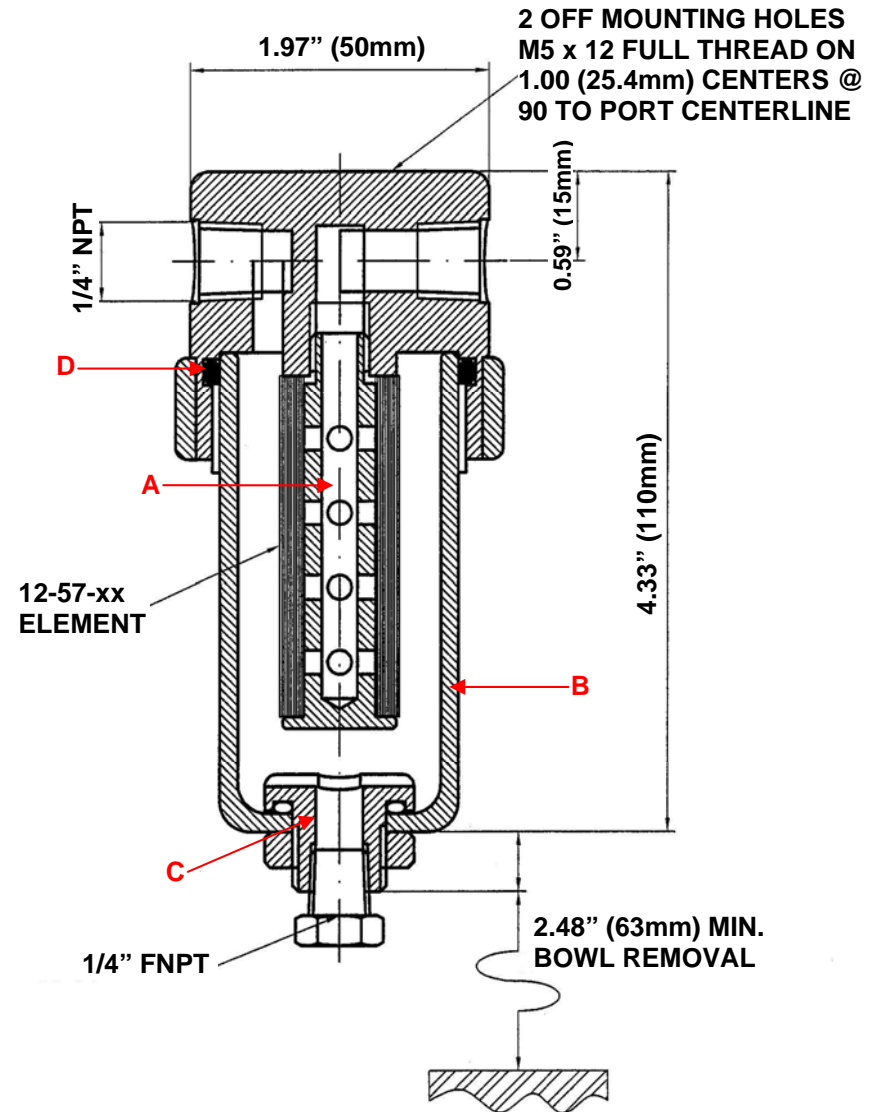



Model: 122PG (1/4" NPT)

Replacement Parts List

12-57-xx	Disposable Filter Element
SS-12-57-xx	Stainless Steel Filter Element
PT-12-57-xx	PTFE Filter Element
PEL-12-57-xx	PEL Filter Element
TR120P	Tie Rod w/ Element Retainer (A)
SC120P	Support Core (Not Pictured)
GB120PG	Pyrex Bowl (B)
BHF120PG	Bulk Head Fitting (PTFE) (C)
MBSS110	Mounting Bracket (Not Pictured)
Oxygen Cleaning Service Available Note – Please replace "xx" with micron rating or grade	
Available O-Rings	
BN110P	Buna-N
GV110P	Viton (Standard) (D)
KZ110P	Kalrez
GS110P	Silicone



 <p>United Filtration Systems, Inc. 6558 Diplomat Drive Sterling Heights, MI 48314 1-800-311-5561 www.unitedfiltration.com</p>	Model 122PG		<p>THE COPYRIGHT OF THIS DRAWING IS RESERVED BY UNITED FILTRATION. IT IS ISSUED ON CONDITION THAT IT IS NOT COPIED, REPRODUCED OR DISCLOSED TO A THIRD PARTY EITHER WHOLLY, OR IN PART WITHOUT CONSENT IN WRITING.</p>
	<p>Material: Head: PTFE Bowl: Pyrex Internals: PTFE Standard Gasket / O-ring: Viton</p>	<p>Drain Type: 1/4" FNPT Maximum Temperature: 400 Maximum Pressure: 100 Internal Volume: 63</p>	
<p>DO NOT SCALE DRAWING IF IN DOUBT ASK</p>			