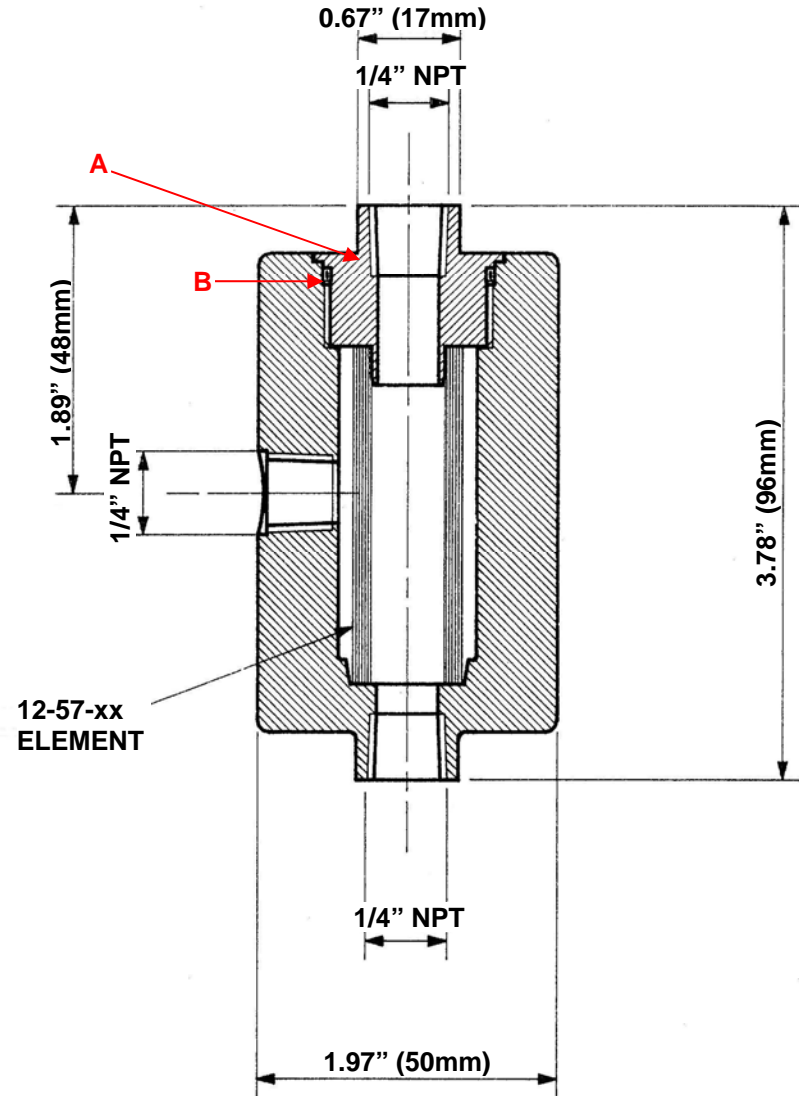



**Model: 126IL-3 (1/4" NPT)**

**Replacement Parts List**

12-57-xx	Disposable Filter Element
SS-12-57-xx	Stainless Steel Filter Element
PT-12-57-xx	PTFE Filter Element
PEL-12-57-xx	PEL Filter Element
EC126IL-3	Stainless Steel End Cap (A)
Oxygen Cleaning Service Available Note – Please replace "xx" with micron rating or grade	
<b>Available O-Rings</b>	
BN126IL-3	Buna-N
GV126IL-3	Viton (Standard) (B)
KZ126IL-3	Kalrez
GS126IL-3	Silicone
PTFE Seal not available - Do to design	



Please Note: Exotic Materials are available, for Hastelloy-C (126IL-3HC) and for Monel (126IL-3M).

 <p><b>United Filtration Systems, Inc.</b> 6558 Diplomat Drive Sterling Heights, MI 48314 1-800-311-5561 <a href="http://www.unitedfiltration.com">www.unitedfiltration.com</a></p>	<b>Model 126IL-3</b>		<p>THE COPYRIGHT OF THIS DRAWING IS RESERVED BY UNITED FILTRATION. IT IS ISSUED ON CONDITION THAT IT IS NOT COPIED, REPRODUCED OR DISCLOSED TO A THIRD PART EITHER WHOLLY, OR IN PART WITHOUT CONSENT IN WRITING.</p>
	<p><b>Material:</b> Head: 316L Stainless Steel Bowl: 316L Stainless Steel Internals: 316L Stainless Steel Standard Gasket / O-ring: Viton</p>	<p><b>Sample Port: 1/4"</b> <b>Maximum Temperature: 400</b> <b>Maximum Pressure: 5000</b> <b>Internal Volume: 22</b></p>	
<b>DO NOT SCALE DRAWING IF IN DOUBT ASK</b>			