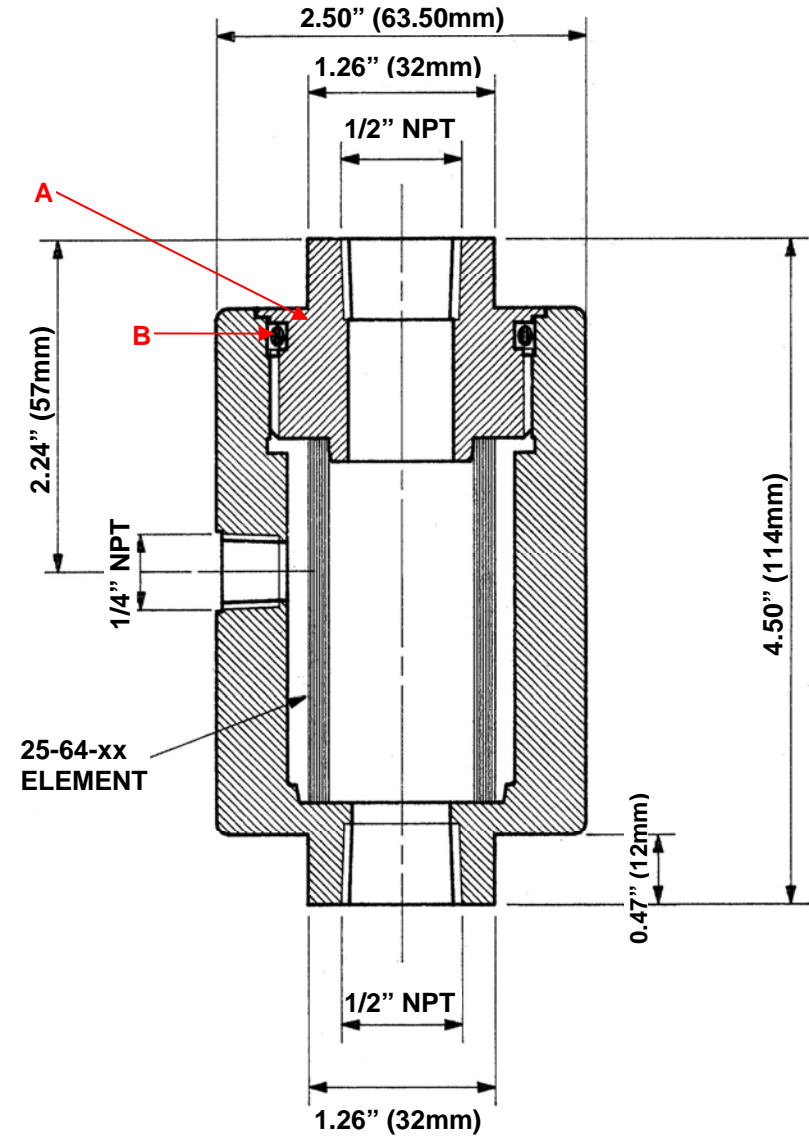



Model: 136IL-3 (1/2" NPT)

Replacement Parts List

25-64-xx	Disposable Filter Element
SS-25-64-xx	Stainless Steel Filter Element
PT-25-64-xx	PTFE Filter Element
PEL-25-64-xx	PEL Filter Element
EC136IL-3	Stainless Steel End Cap (A)
Oxygen Cleaning Service Available Note – Please replace "xx" with micron rating or grade	
Available O-Rings	
BN136IL-3	Buna-N
GV136IL-3	Viton (Standard) (B)
KZ136IL-3	Kalrez
GS136IL-3	Silicone
PTFE Seal not available - Do to design	



Please Note: Exotic Materials are available, for Hastelloy-C (136IL-3HC) and for Monel (136IL-3M).

 <p>United Filtration Systems, Inc. 6558 Diplomat Drive Sterling Heights, MI 48314 1-800-311-5561 www.unitedfiltration.com</p>	Model 136IL-3		<p>THE COPYRIGHT OF THIS DRAWING IS RESERVED BY UNITED FILTRATION. IT IS ISSUED ON CONDITION THAT IT IS NOT COPIED, REPRODUCED OR DISCLOSED TO A THIRD PART EITHER WHOLLY, OR IN PART WITHOUT CONSENT IN WRITING.</p>
	<p>Material: Head: 316L Stainless Steel Bowl: 316L Stainless Steel Internals: 316L Stainless Steel Standard Gasket / O-ring: Viton</p>	<p>Sample Port: 1/4" Maximum Temperature: 400 Maximum Pressure: 1500 Internal Volume: 65</p>	
<p>DO NOT SCALE DRAWING IF IN DOUBT ASK</p>			