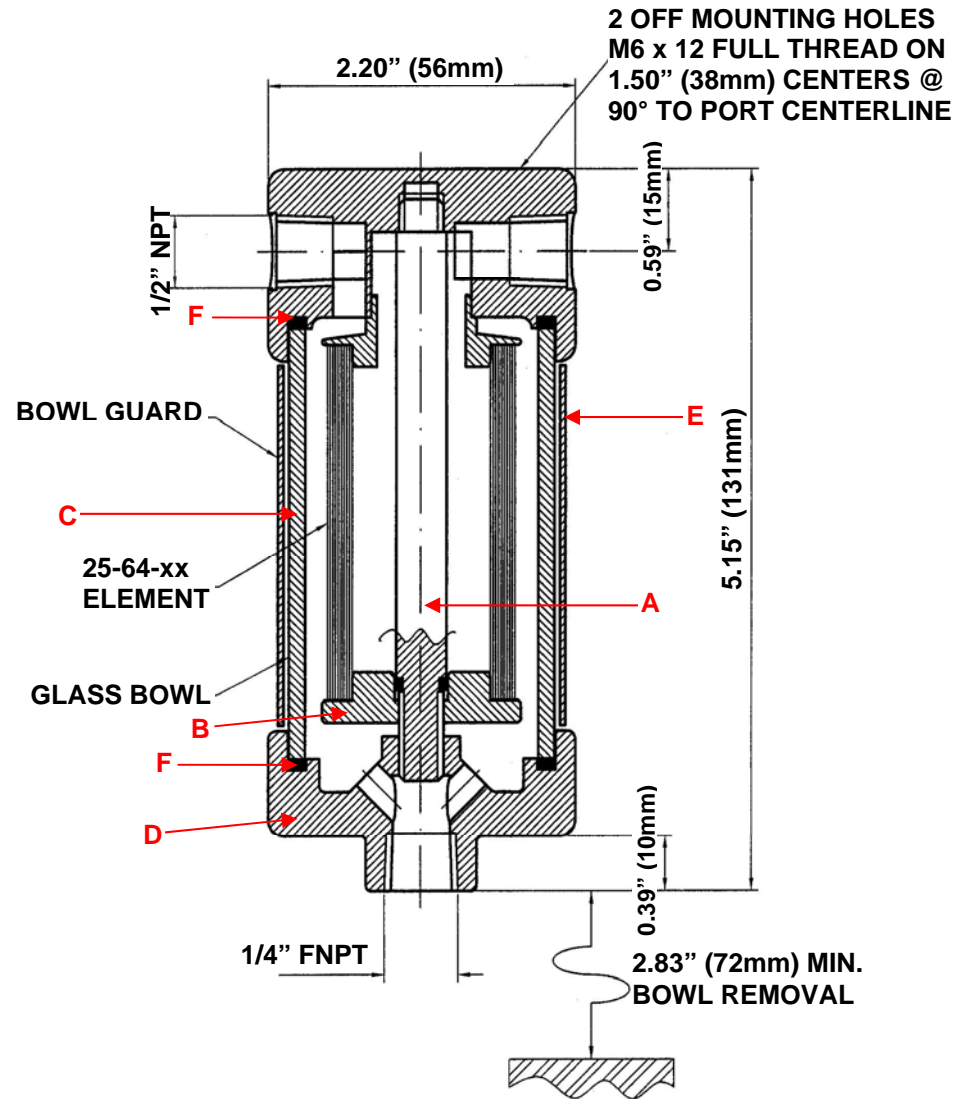



Model: 138G (1/2" NPT)

Replacement Parts List

25-64-xx	Disposable Filter Element
SS-25-64-xx	Stainless Steel Filter Element
PT-25-64-xx	PTFE Filter Element
PEL-25-64-xx	PEL Filter Element
TR137	Tie Rod (A)
ER137	Element Retainer (B)
SC130	Support Core (Not Pictured)
GB137	Glass Bowl (C)
BP137	Base Plate (D)
BG137	Bowl Guard (E)
MBSS130	Mounting Bracket (Not Pictured)
Oxygen Cleaning Service Available Note – Please replace "xx" with micron rating or grade	
Available O-Rings	
BN137	Buna-N
GV137	Viton (Standard) (F)
KZ137	Kalrez
GS137	Silicone



Please Note: Exotic Materials are available, for Hastelloy-C (138GHC) and for Monel (138GM).

 United Filtration Systems, Inc. 6558 Diplomat Drive Sterling Heights, MI 48314 1-800-311-5561 www.unitedfiltration.com	Model 138G		THE COPYRIGHT OF THIS DRAWING IS RESERVED BY UNITED FILTRATION. IT IS ISSUED ON CONDITION THAT IT IS NOT COPIED, REPRODUCED OR DISCLOSED TO A THIRD PART EITHER WHOLLY, OR IN PART WITHOUT CONSENT IN WRITING.
	Material: Head: 316L Stainless Steel Bowl: 316L Stainless Steel Internals: 316L Stainless Steel Standard Gasket / O-ring: Viton	Drain Type: 1/4" FNPT Maximum Temperature: 400 Maximum Pressure: 100 Internal Volume: 110	
DO NOT SCALE DRAWING IF IN DOUBT ASK			