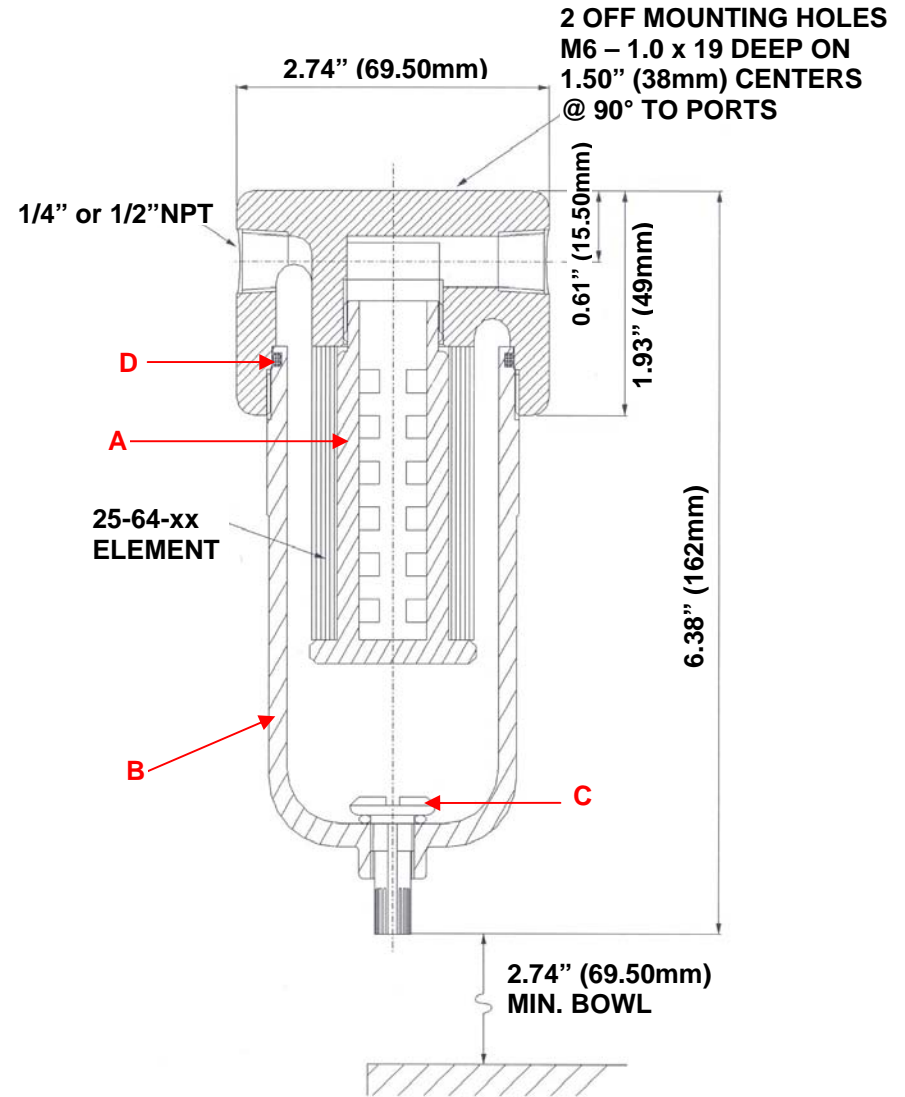



Model: 360 (1/4" or 1/2" NPT)

Replacement Parts List

25-64-xx	Disposable Filter Element
SS-25-64-xx	Stainless Steel Filter Element
PT-25-64-xx	PTFE Filter Element
PEL-25-64-xx	PEL Filter Element
TR360	Tie Rod w/ Element Retainer (A)
AB360	Aluminum Bowl w/ O-Ring (Not Pictured)
NB360	Nylon Bowl (Not Pictured)
PB360	Polycarbonate Bowl (B)
MBSS360	Mounting Bracket (Not Pictured)
DV360	Manual Plastic Drain Valve (C)
HI360	Head Insert (Not Pictured)
Oxygen Cleaning Service Available Note – Please replace “xx” with micron rating or grade	
Available O-Rings	
BN360	Buna-N (Standard) (D)
GV360	Viton
KZ360	Kalrez
GS360	Silicone



 <p>United Filtration Systems, Inc. 6558 Diplomat Drive Sterling Heights, MI 48314 1-800-311-5561 www.unitedfiltration.com</p> <p>DO NOT SCALE DRAWING IF IN DOUBT ASK</p>	Model 360		<p>THE COPYRIGHT OF THIS DRAWING IS RESERVED BY UNITED FILTRATION. IT IS ISSUED ON CONDITION THAT IT IS NOT COPIED, REPRODUCED OR DISCLOSED TO A THIRD PART EITHER WHOLLY, OR IN PART WITHOUT CONSENT IN WRITING.</p>
	<p>Material: Head: Anodized Aluminum Bowl: Polycarbonate Internals: Nylon Standard Gasket / O-ring: Buna-N</p>	<p>Drain Type: Manual Twist Maximum Temperature: 120 Maximum Pressure: 150 Internal Volume: 150</p>	