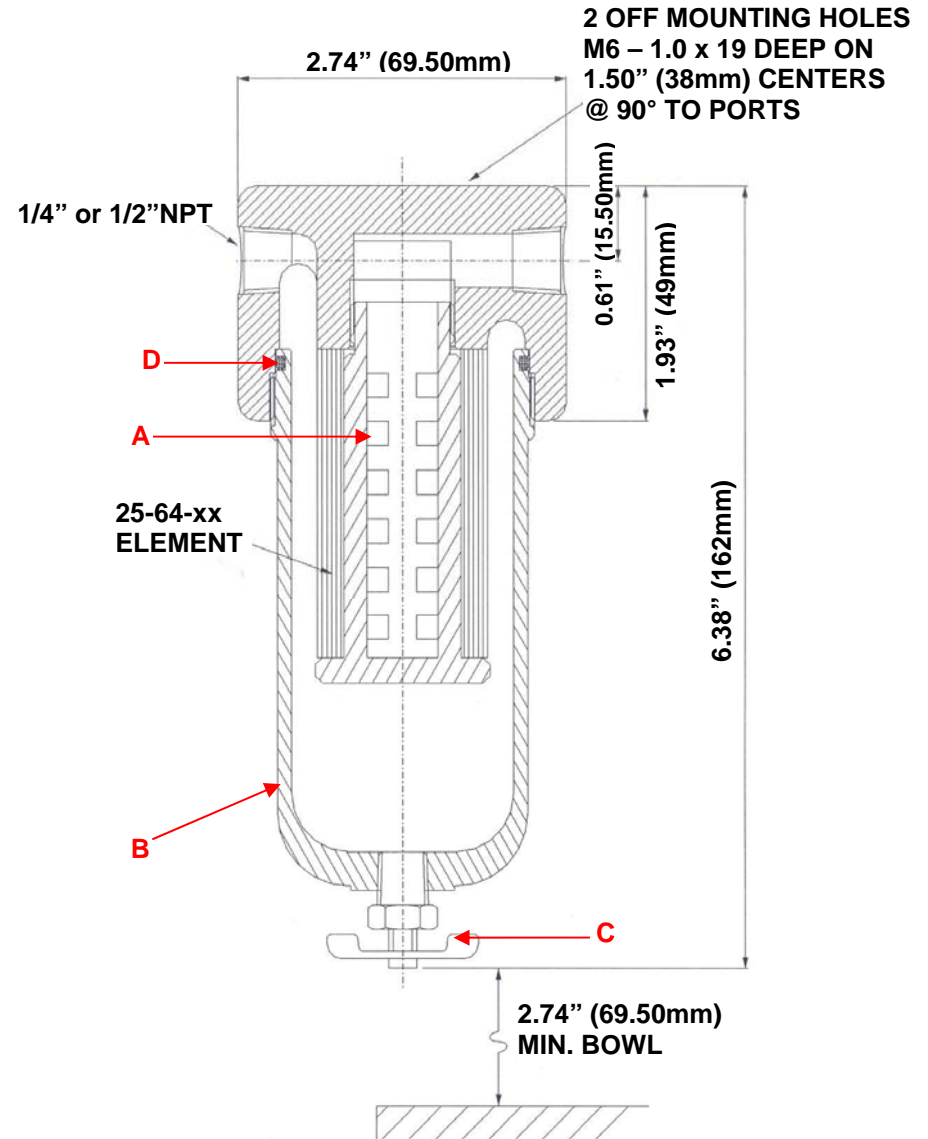



Model: 360A (1/4" or 1/2" NPT)

Replacement Parts List

25-64-xx	Disposable Filter Element
SS-25-64-xx	Stainless Steel Filter Element
PT-25-64-xx	PTFE Filter Element
PEL-25-64-xx	PEL Filter Element
TR360	Tie Rod w/ Element Retainer (A)
AB360	Aluminum Bowl w/ O-Ring (B)
NB360	Nylon Bowl (Not Pictured)
PB360	Polycarbonate Bowl (Not Pictured)
MBSS360	Mounting Bracket (Not Pictured)
PET300	Brass Manual Petcock (C)
HI360	Head Insert (Not Pictured)
BG360	Bowl Guard (Factory Installed) (Not Pictured)
Oxygen Cleaning Service Available Note – Please replace "xx" with micron rating or grade	
Available O-Rings	
BN360	Buna-N (Standard) (D)
GV360	Viton
KZ360	Kalrez
GS360	Silicone



	United Filtration Systems, Inc. 6558 Diplomat Drive Sterling Heights, MI 48314 1-800-311-5561 www.unitedfiltration.com	Model 360A		THE COPYRIGHT OF THIS DRAWING IS RESERVED BY UNITED FILTRATION. IT IS ISSUED ON CONDITION THAT IT IS NOT COPIED, REPRODUCED OR DISCLOSED TO A THIRD PART EITHER WHOLLY, OR IN PART WITHOUT CONSENT IN WRITING.
	DO NOT SCALE DRAWING IF IN DOUBT ASK	Material: Head: Anodized Aluminum Bowl: Anodized Aluminum Internals: Nylon Standard Gasket / O-ring: Buna-N	Drain Type: Brass Petcock Maximum Temperature: 240 Maximum Pressure: 500 Internal Volume: 165 Drawn By & Date UFS0413R	