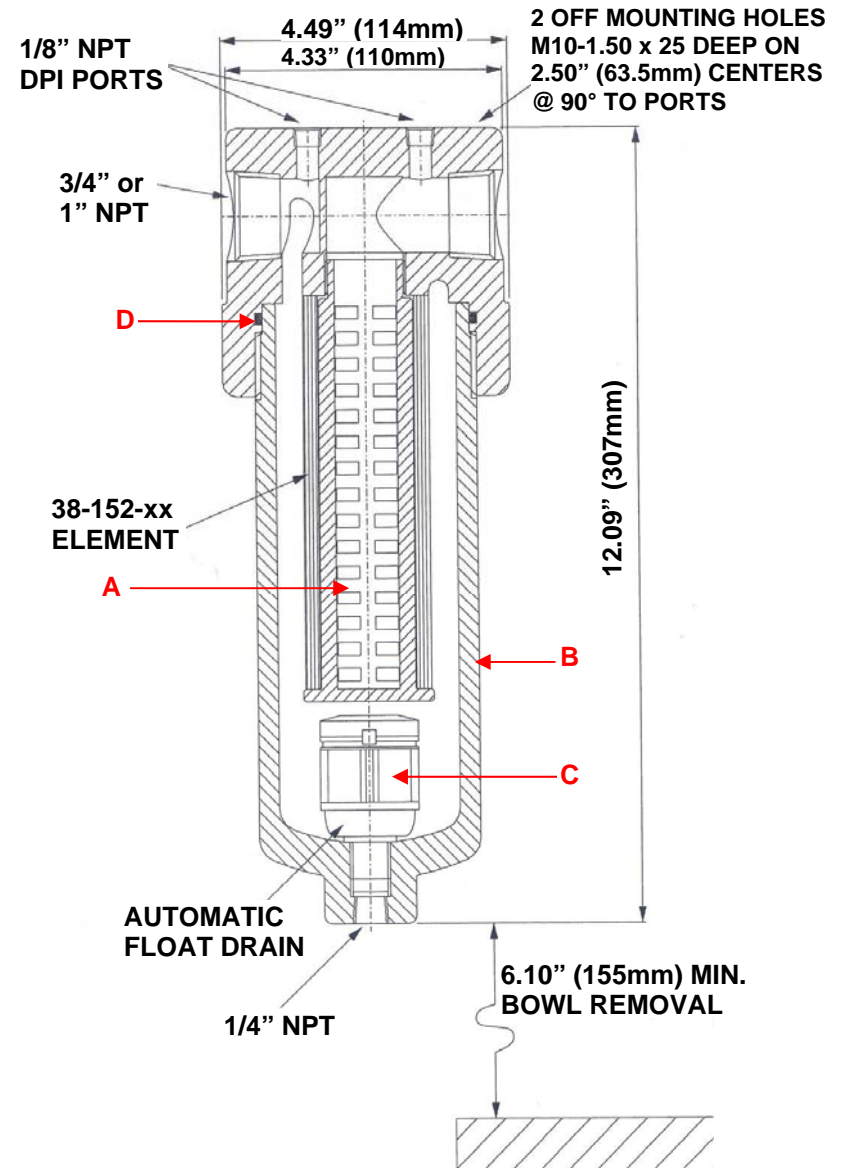



Model: 380AHPF (3/4" or 1" NPT)

Replacement Parts List	
38-152-xx	Disposable Filter Element
SS-38-152-xx	Stainless Steel Filter Element
PT-38-152-xx	PTFE Filter Element
PEL-38-152-xx	PEL Filter Element
TR380	Nylon Tie Rod w/ Element Retainer (A)
AB380	Aluminum Bowl (B)
SC380	Support Core (Not Pictured)
FD300	Float Drain (C)
MB380	Mounting Bracket (Not Pictured)
Oxygen Cleaning Service Available Note – Please replace "xx" with micron rating or grade	
Available O-Rings	
BN380	Buna-N
GV380	Viton (Standard) (D)
KZ380	Kalrez
GS380	Silicone



 <p>United Filtration Systems, Inc. 6558 Diplomat Drive Sterling Heights, MI 48314 1-800-311-5561 www.unitedfiltration.com</p>	Model 380AHPF (3/4" or 1" NPT)		<p>THE COPYRIGHT OF THIS DRAWING IS RESERVED BY UNITED FILTRATION. IT IS ISSUED ON CONDITION THAT IT IS NOT COPIED, REPRODUCED OR DISCLOSED TO A THIRD PART EITHER WHOLLY, OR IN PART WITHOUT CONSENT IN WRITING.</p>
	<p>Material: Head: Aluminum Bowl: Aluminum Internals: Nylon Standard O-ring: Viton</p>	<p>Drain Type: Automatic Maximum Temperature: 120 Maximum Pressure: 250 Internal Volume: 655</p>	

**DO NOT SCALE DRAWING
IF IN DOUBT ASK**