

# SUBSTRATE COALESCING HOUSINGS

## Features:

- 316L Stainless Steel Construction
- SP76 / NPT Ports
- Low Internal Volume
- Quick Element Service

## Applications:

- SP76 Platform



The Substrate series SP76 filter housings are designed for SP76 compliant modular sample systems. The housings can be used for particulate or coalescing applications. Coalescing housings have a drain port to evacuate any collected liquid.

Membrane housings should only be used on a substrate that is wall mounted with the drain port at the lowest point below the inlet and outlet ports. In other words, the housing must sit vertical for proper drainage.

This unique inverted design allows a quick change of the element as all the line connections are in the base and not in the bowl.

## PRINCIPLE SPECIFICATIONS

Housing Model	SUB027.L01	SUB027.R01	SUB027.L11	SUB027.R11
Inlet & Outlet Connections	SP76	SP76	SP76	SP76
Drain (NPT)	None	None	1/8"	1/8"
Maximum Temperature (°F)	400	400	400	400
Maximum Pressure (psig)	5000	5000	5000	5000
Internal Volume (cc)	15	15	15	15
Principle Dimensions: (inches)				
Center Of Port To Head	1.42	1.42	1.42	1.42
Head Diameter	1.50	1.50	1.50	1.50
Overall Length	3.90	3.90	3.90	3.90
Element Removal Clearance	2.36	2.36	2.36	2.36
Filter Element Codes: (1)				
Disposable Microfiber Element	10-57-□	10-57-□	10-57-□	10-57-□
Materials Of Construction: (2)				
Head	316LSS	316LSS	316LSS	316LSS
Body & Internals	316LSS	316LSS	316LSS	316LSS
O-Rings (Standard)	Viton	Viton	Viton	Viton
Optional Items:				
Buna-N Seal Set	BNSUB027	BNSUB027	BNSUB027	BNSUB027
EPDM Seal Set	GESUB027	GESUB027	GESUB027	GESUB027
Kalrez Seal Set	KZSUB027	KZSUB027	KZSUB027	KZSUB027
Viton Seal Set (Standard)	GVSUB027	GVSUB027	GVSUB027	GVSUB027
Mounting:				
Substrate Flow Direction	Left to Right	Right to Left	Left to Right	Right to Left
Substrate Plane	Any	Any	Horizontal	Horizontal
Inlet	Port 1	Port 3	Port 2	Port 2
Outlet	Port 2	Port 2	Port 3	Port 1

Notes: (1) Replace '□' with grade required, e.g. 10-57-50C  
 (2) Material abbreviations, 316LSS = 316L Stainless Steel

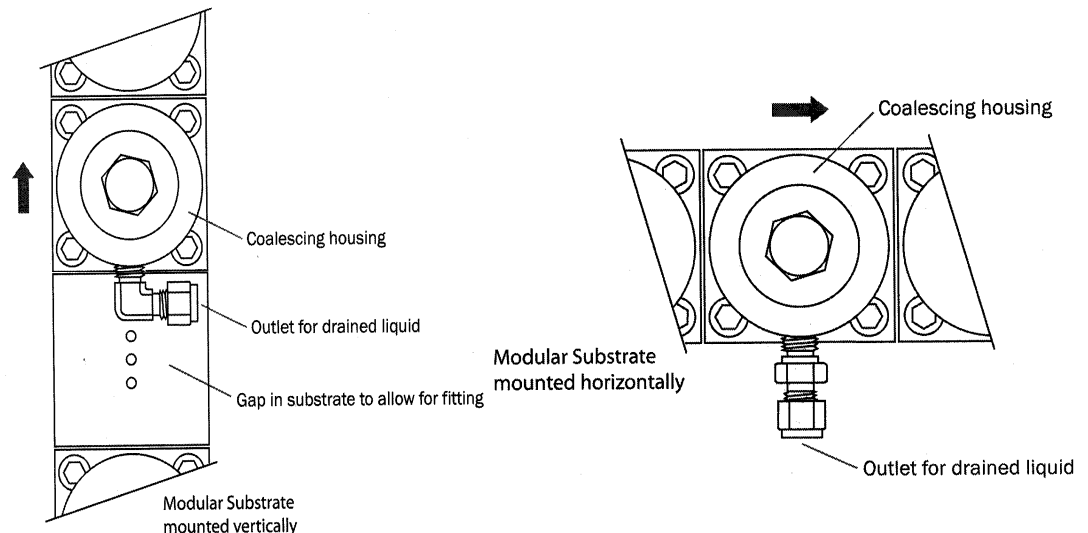


United Filtration Systems, Inc.  
 6558 Diplomat Drive  
 Sterling Heights, MI 48314  
 T (586) 802-5561 • F (586) 802-5562  
 sales@unitedfiltration.com  
 www.unitedfiltration.com

1-800-311-5561



Partner of Headline Filters



SU027-1